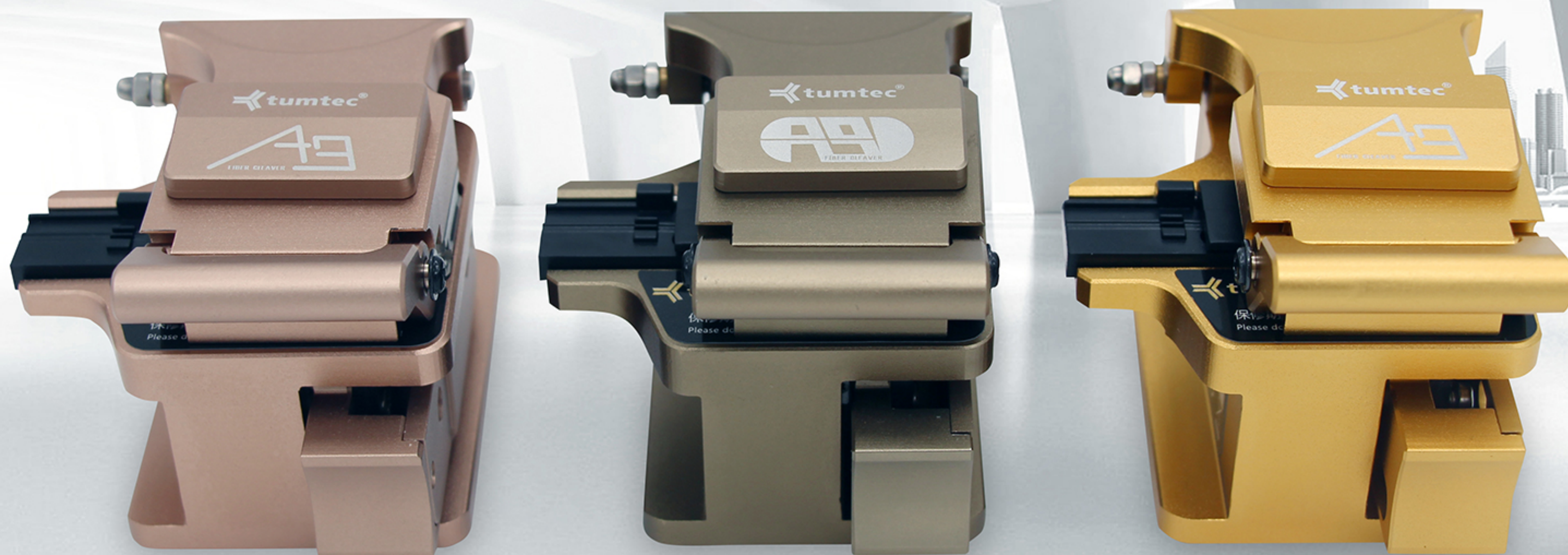


China Innovation
Tumtec Create



A9 High Precision Fiber Cleaver

Smart



400-090-9838

Fashion, Classic, Honorable

- More than ten years experience working on fiber cleavers.
- Cleave blade with 16 cleave spots, 3 times' height could be adjusted with each spot, cleave life with 48000 times.
- High Hardness, good toughness, high precision; small, light and easy to carry; simple to operate, two steps to finish; support multiple fibers.
- Work normally at the altitude of 5000m and adapt to -10°C ~ 50°C.

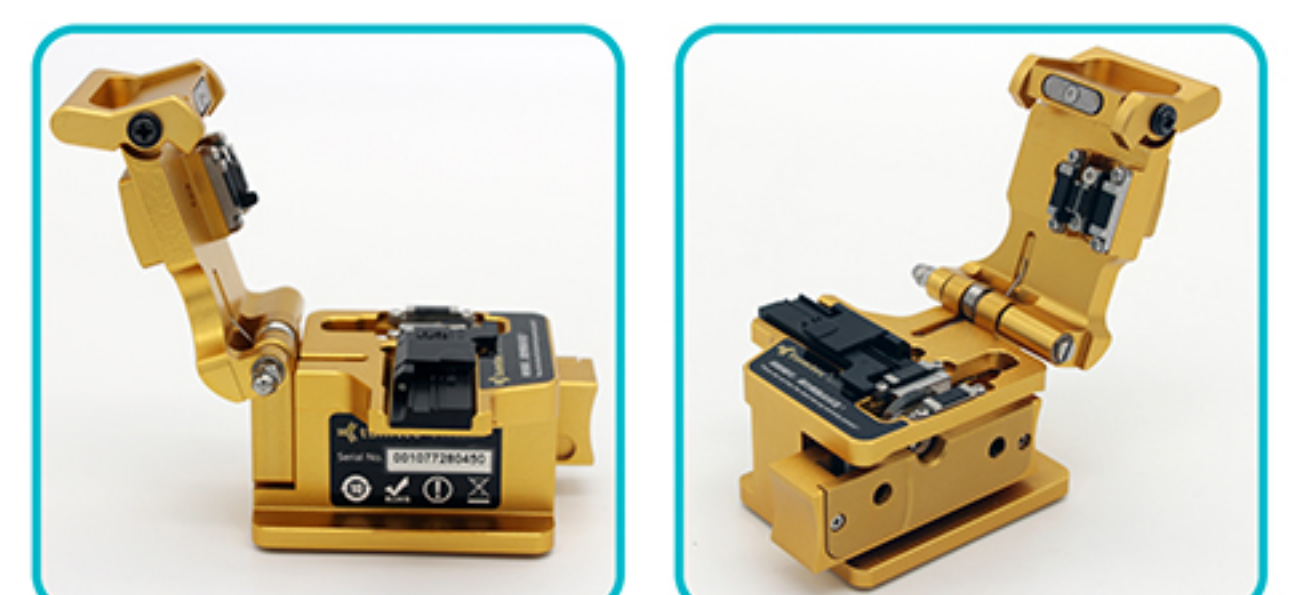
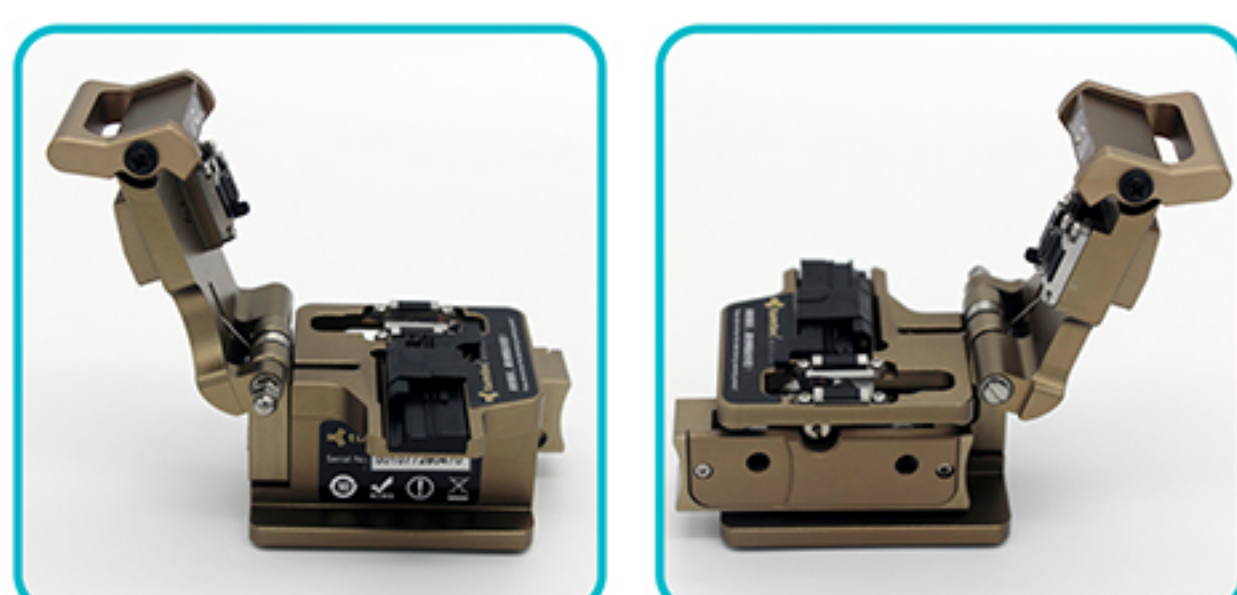
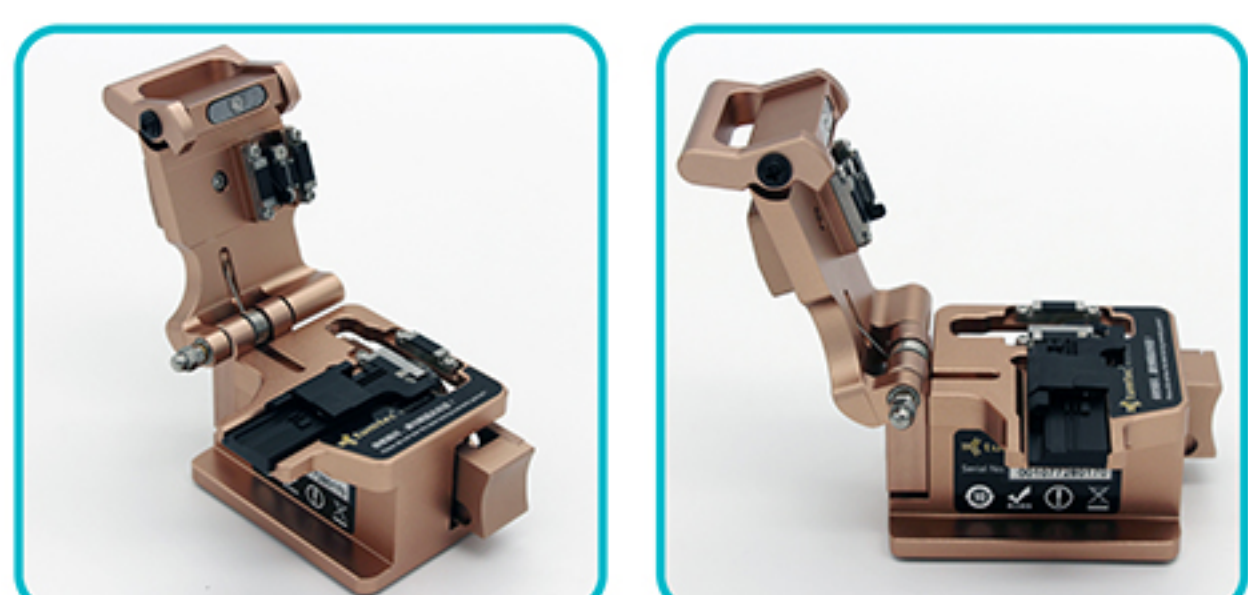
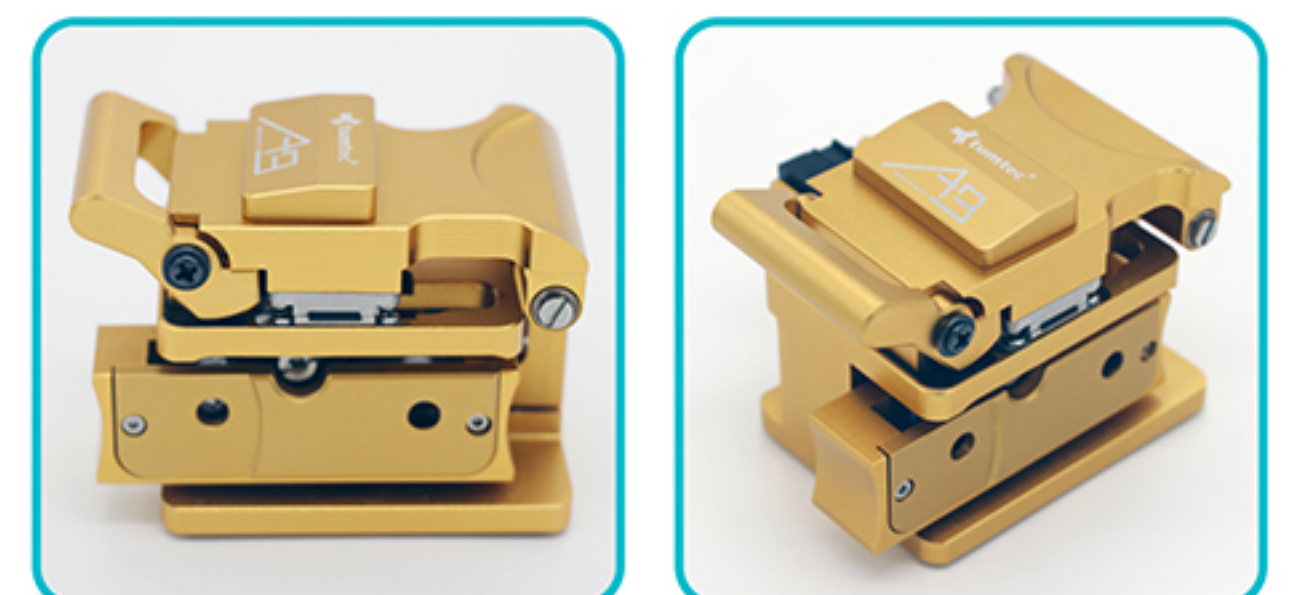
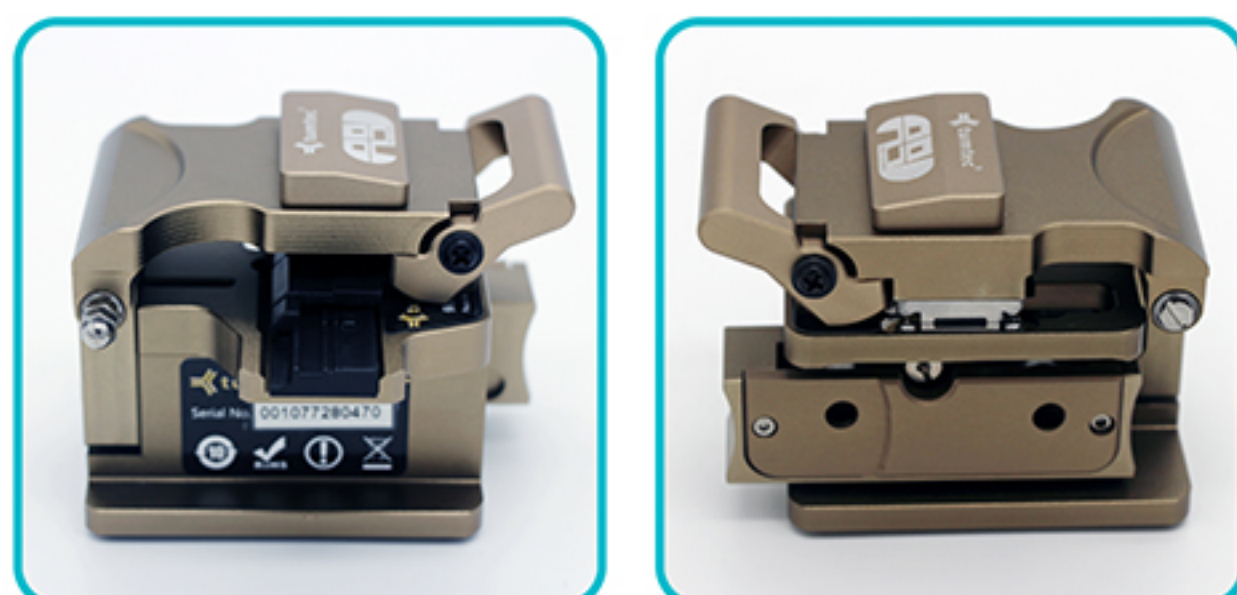
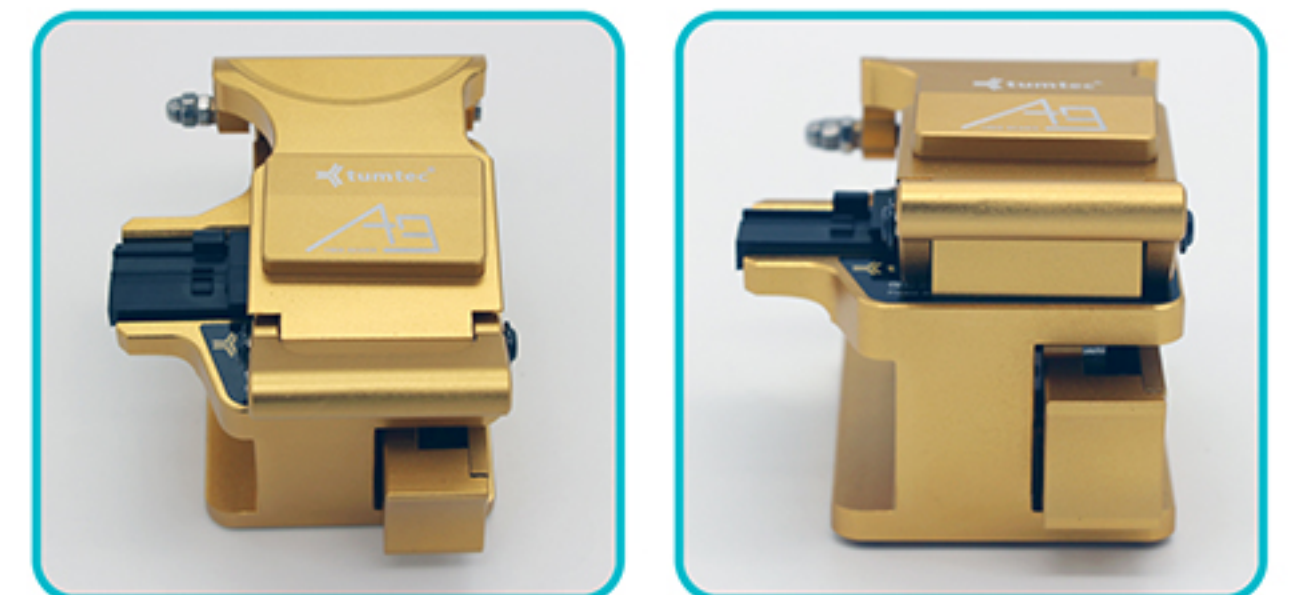
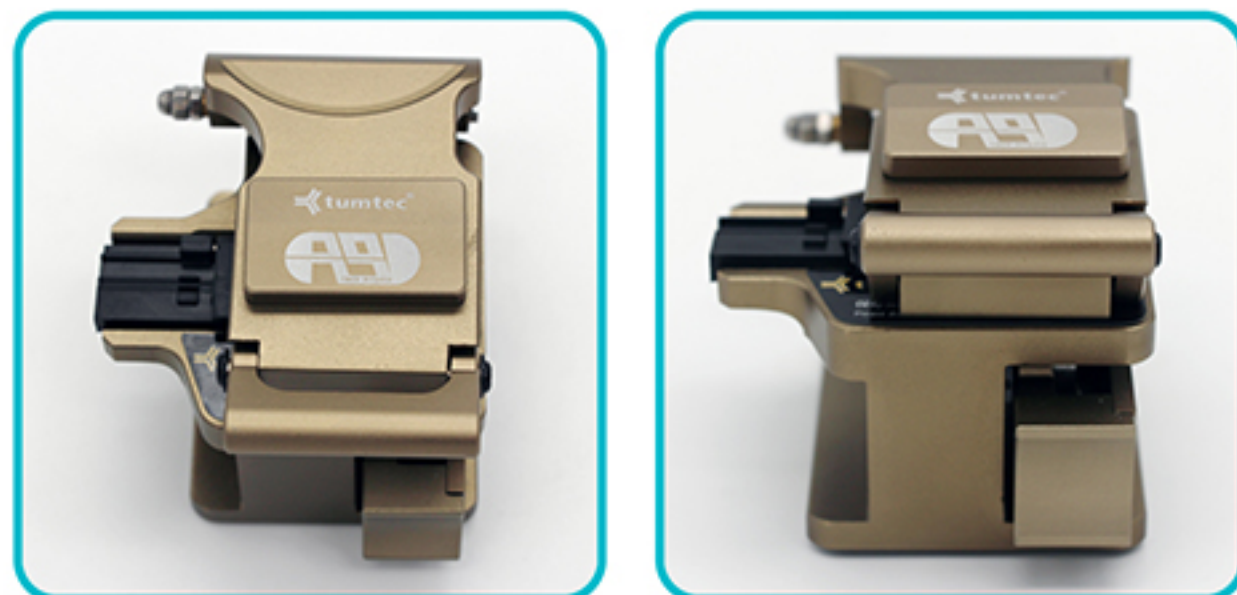
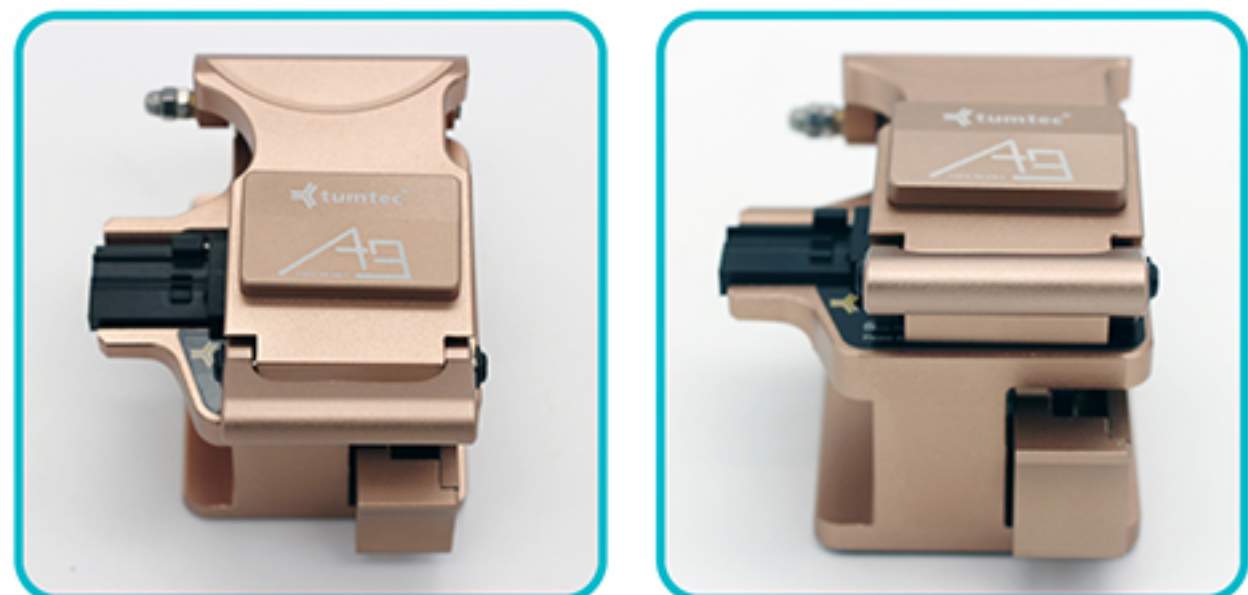
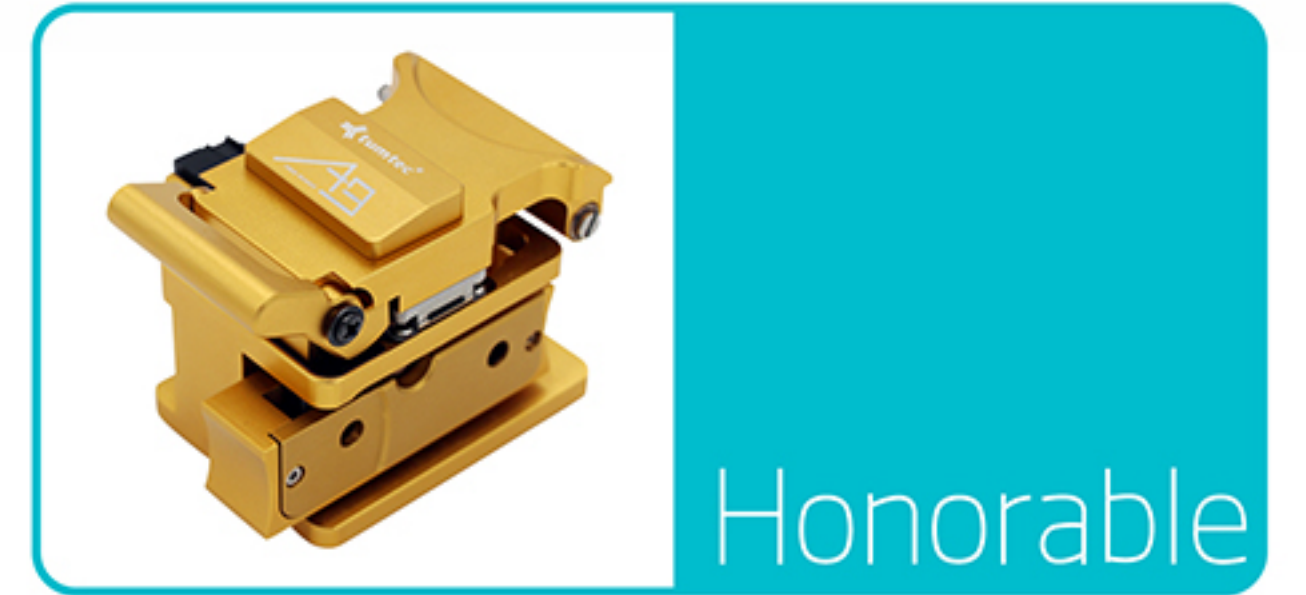
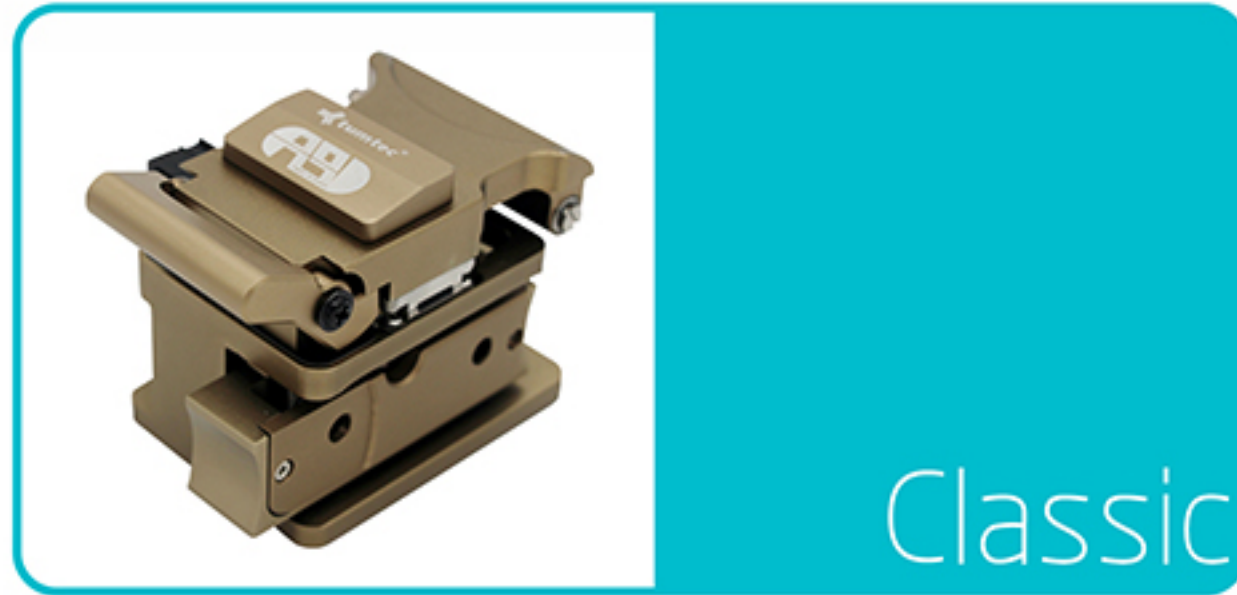
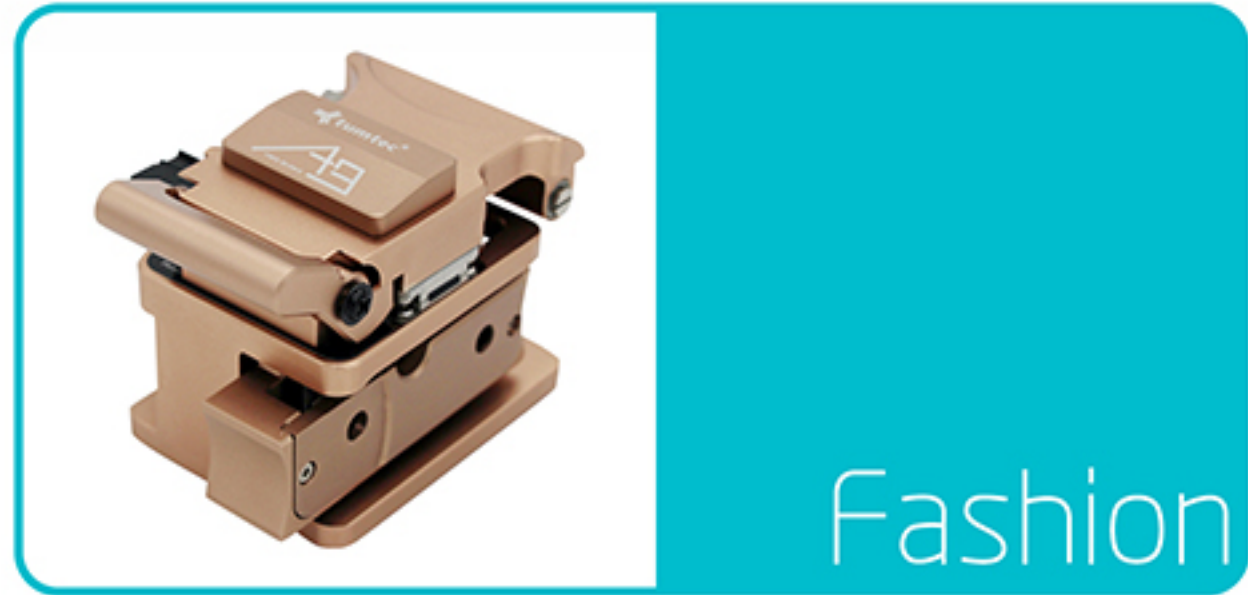
Smart



*[A9 version : V1.2.1]

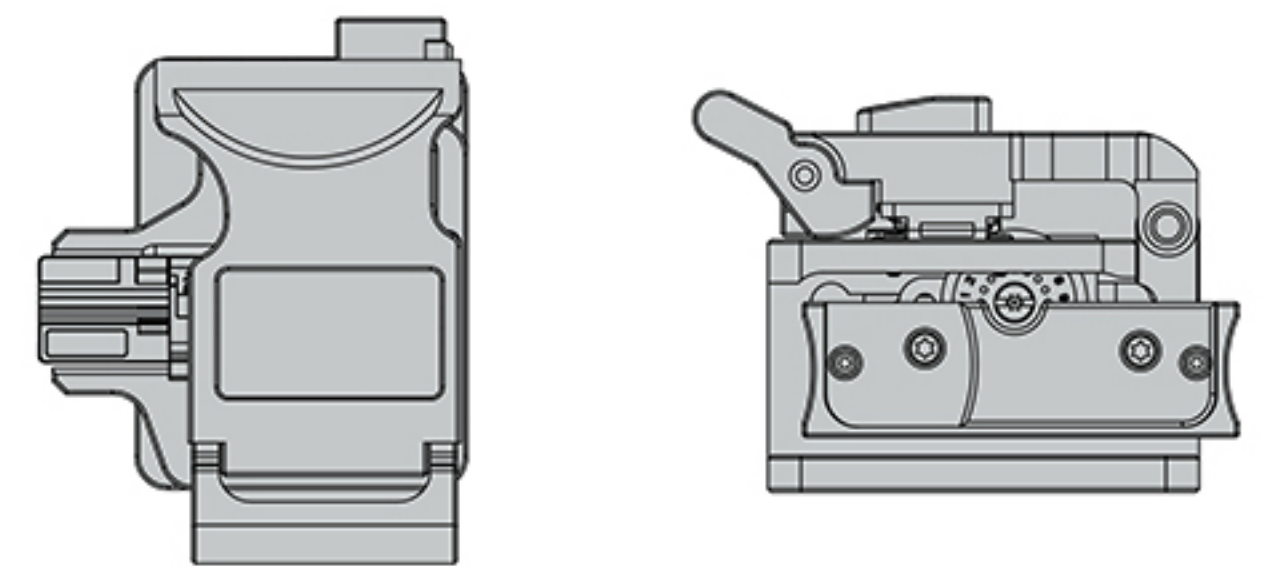
Please refer to the real product. No further notification if there's any content changed.

A9 High Precision Fiber Cleaver



Parameters

Model	A9	Average cleave angle	0.5°
Size	64 (W) × 82 (D) × 60 (H) mm	Fiber placed	using three-in-one fiber holder
Weight	about 328g	Blade life	cleave 1000 times, 3 times' height could be adjusted with each spot, 16 cleave spots, cleave life 48000 times in total
Fiber cores	single core	Operation steps	Two steps
Cleave length	7mm-20mm		
Applied to fiber category	0.25mm-0.9mm Single fiber, Pigtail, Indoor Cable		



Guangdong Tumtec Communication Technology Co.,Ltd

Web : www.tumtec.com Tel : 400-090-9838 / (+86)0757-86220158
Address: Rm.302-1, 3rd floor, building A5, Hantian science and technology zone, NO.17 Shenhai road, Nanhai district, Foshan, Guangdong, China

